

# RWS® LOCK DOWN™ MOUNT

Made to fit 11 mm flat top rail.

**⚠ WARNING:** INSTALL MOUNT CORRECTLY AND AS DIRECTED. INCORRECT INSTALLATION WILL RESULT IN FAILURE AND MAY CAUSE SERIOUS INJURY OR DEATH. READ DIRECTIONS COMPLETELY BEFORE BEGINNING INSTALLATION.

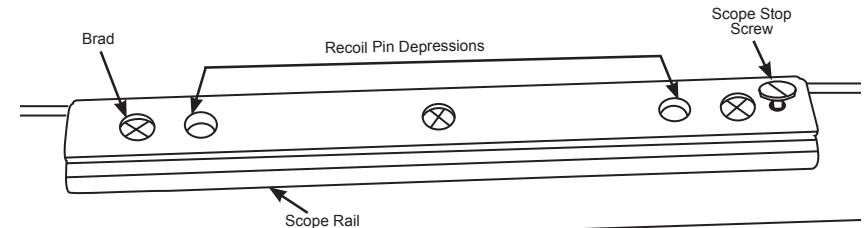
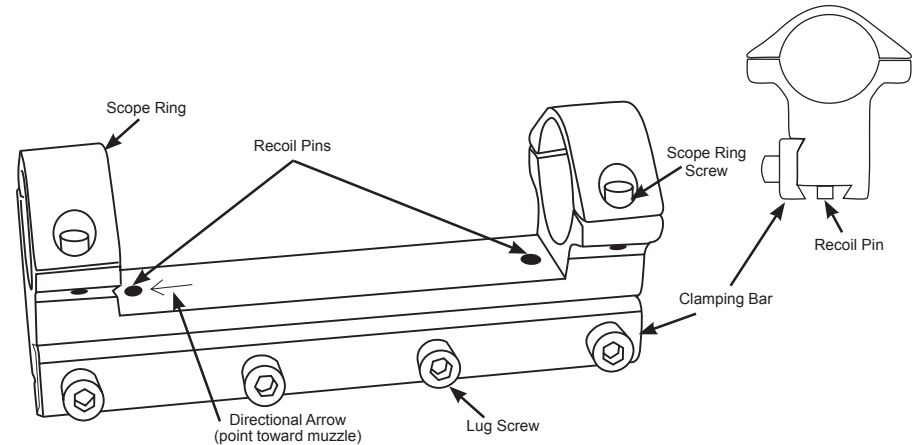
**⚠ WARNING:** MAKE SURE THE AIRGUN IS “ON SAFE”, UNLOADED, AND POINTED IN A SAFE DIRECTION BEFORE BEGINNING INSTALLATION.

This RWS Lock Down mount has two recoil pins installed to fit the factory rail of RWS Air Rifles. The recoil pins can be retracted if necessary so that the mount can be applied to rifles without the recoil pin depressions. Please follow the steps below to ensure proper set up.

1. Remove scope stop screw from rear of scope rail.
2. Loosen lug screws.
3. Position mount on scope rail so that recoil pins fit into recoil pin depressions. Recoil pins must not protrude more than 1/16".
4. Verify “Directional Arrow” is pointed towards muzzle of rifle.
5. Verify that the mount sits down flush on the scope rail.
6. Tighten lug screws beginning with the two center screws.
7. Use hex wrench (wrench included) to lightly tighten the recoil pins into the bottom of depressions.
8. Position scope in mount.
9. Place scope rings over scope tube and tighten alternately from one side to the other (illustration 1).
10. For air rifles without recoil pin depressions—turn the recoil pins counterclockwise until they do not extend from the bottom of the mount.



illustration 1



Note: The scope rail is permanently fixed to RWS air rifles – **Never** attempt to remove brads or scope rail from the air rifle.

