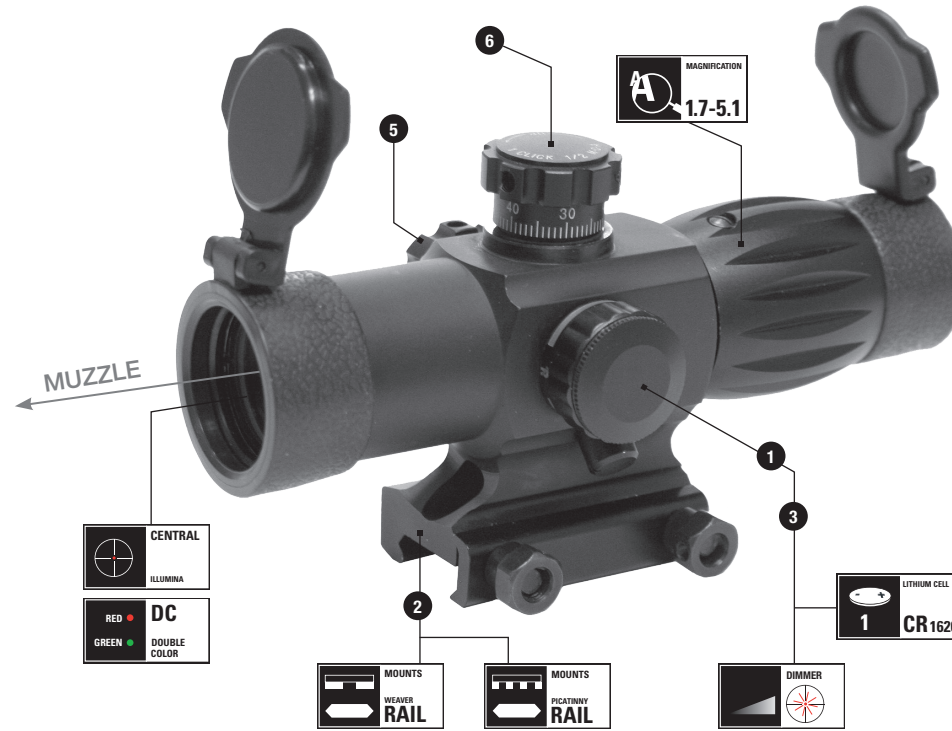


1 BATTERY CHANGE



Please note that batteries must not be put in the household waste. Dispose of them properly, hand them in at your local recycle center for disposal or take them to a used battery collection location.



- 1 Battery change
- 2 Mounting rail
- 3 Brightness adjustment On-Off
- 4 Magnification adjustment
- 5 Windage adjustment
- 6 Elevation adjustment

Magnification:
1.7-5.1

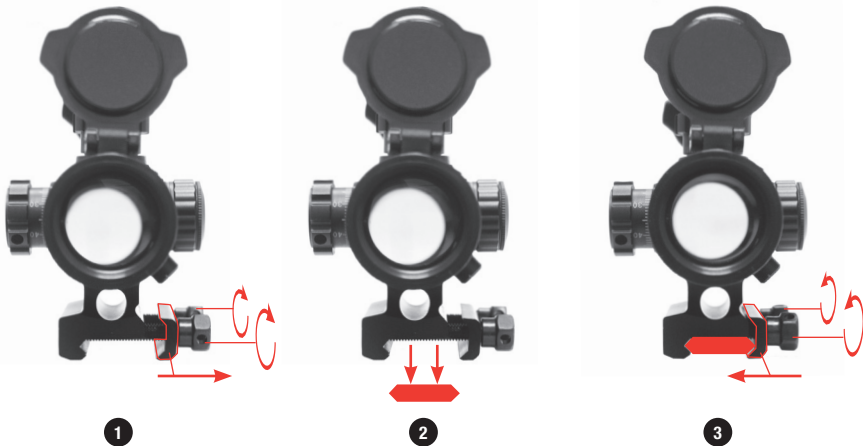
Objective lens diameter:
30 mm

Weight:
1.15 lbs. (521.6 g)

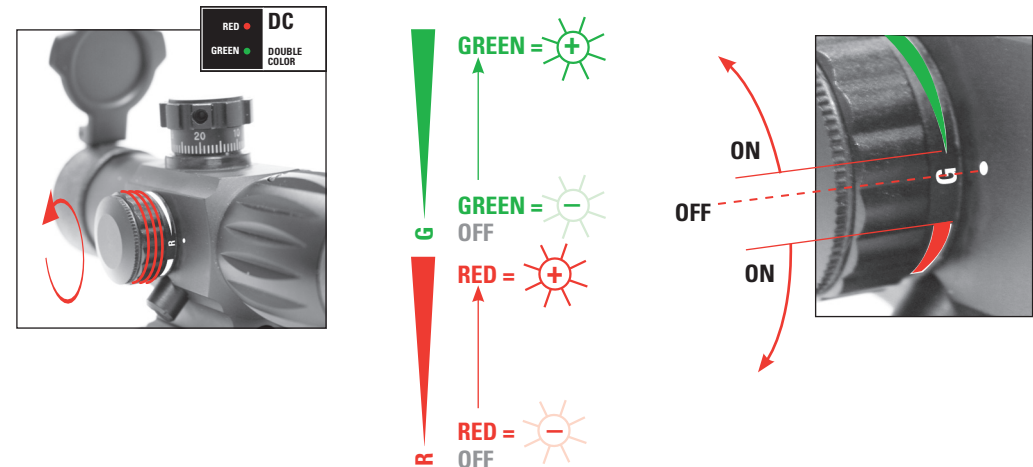
Length:
5.8 inch (148 mm)

Parallax justified:
25 m

2 MOUNTING



3 BRIGHTNESS ADJUSTMENT | ON - OFF

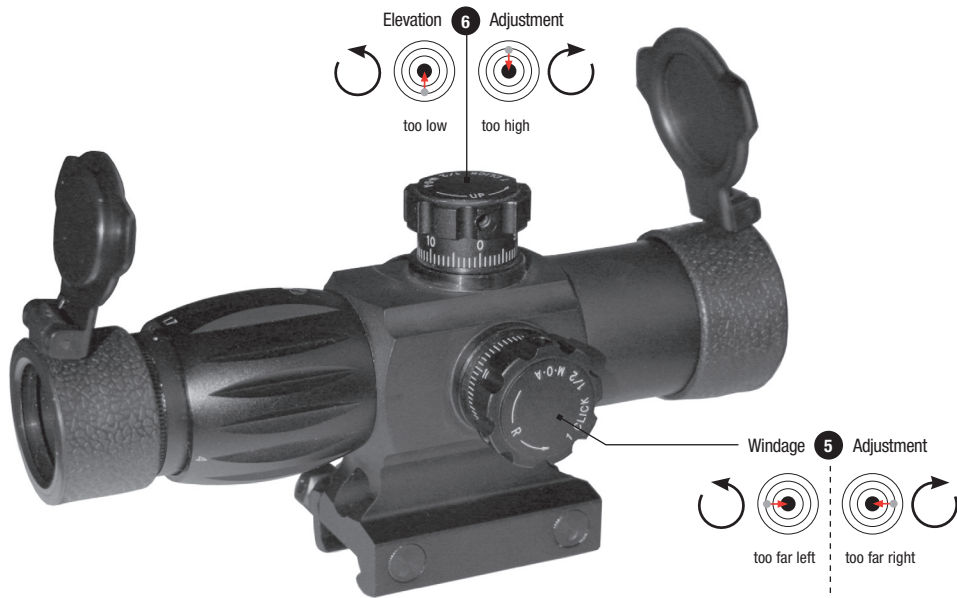


4 MAGNIFICATION ADJUSTMENT



5 WINDAGE ADJUSTMENT

6 ELEVATION ADJUSTMENT



ONE CLICK = 1/2 MOA AT 100 YARDS

FOCUSING

⚠ WARNING:

KEEP A SAFE DISTANCE BETWEEN THE SCOPE AND YOUR EYE TO PREVENT INJURY DUE TO RECOIL.



Point the scope towards a well lit target and look through the eye piece while holding the scope steady about three (3) inches from your eye. If the light doesn't fill the whole field of view, adjust the distance between your eye and the eye piece of the scope until the target fills the field of view.

CARE

Blow away dirt or remove with a fine brush. Remove fingerprints on lenses by wiping with a clean lens cloth. Clean the metal parts by using a cloth which has been slightly dampened with some gun oil. Put dust caps back on after use.

⚠ CAUTION:

NEVER LOOK THROUGH THE SCOPE DIRECTLY INTO THE SUN.

- 1 Battery change
- 2 Mounting rail
- 3 Brightness adjustment On-Off
- 4 Magnification adjustment
- 5 Windage adjustment
- 6 Elevation adjustment

WARRANTY
 Limited One Year Warranty. Contact Umarex USA's service department for further information.

UMAREXUSA®

Umarex USA, Inc.
 7700 Chad Colley Boulevard
 Fort Smith, Arkansas 72916

Parts & Service:
 479-646-4210
 www.UmarexARMS.com

We reserve the right to make color and design changes and technical improvements. No responsibility is accepted for printing errors or incorrect information.